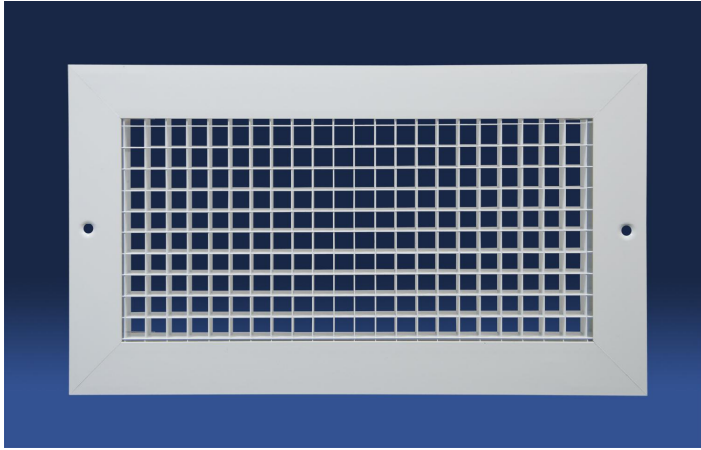
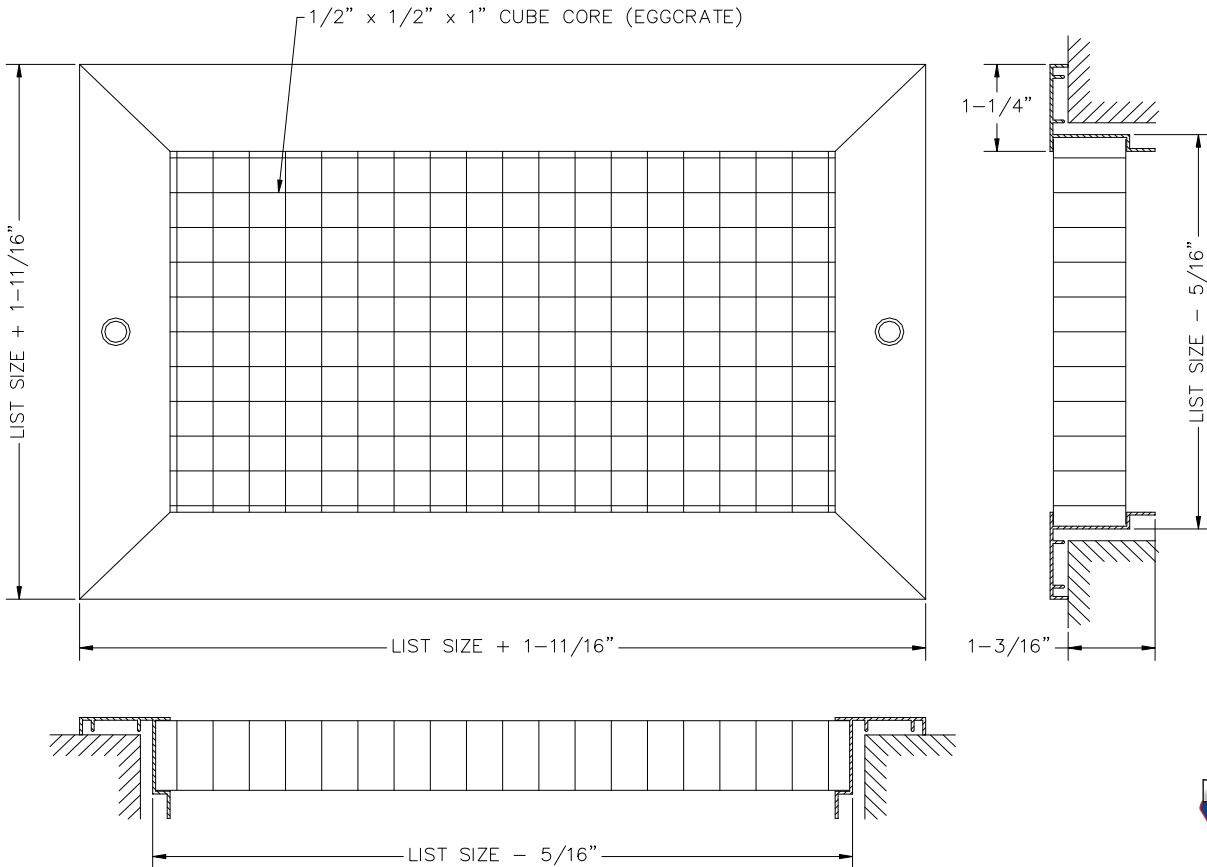


1/2" x 1/2" x 1" Cube Core (Eggcrate) Grille



DARE5.1

- 1/2"x 1/2"x 1" aluminum eggcrate core has a high free area for minimum pressure loss
- Neat appearance often matches luminaries
- Aluminum extruded frame with mechanically locked corners
- Countersunk screwholes c/w painted mounting screws
- Available on 2+ increments as standard
- Custom sizes available but extra charge may apply
- Durable powdercoat painted finish
- Available in White only



DESCRIPTION	DARE5.1
FACE BLADES	1/2"x 1/2"x 1"
REAR BLADES	n/a
DAMPER	n/a
MATERIAL	Aluminum
COLOR	White only

JOB NAME: _____

LOCATION: _____

ARCHITECT: _____

ENGINEER: _____

CONTRACTOR: _____