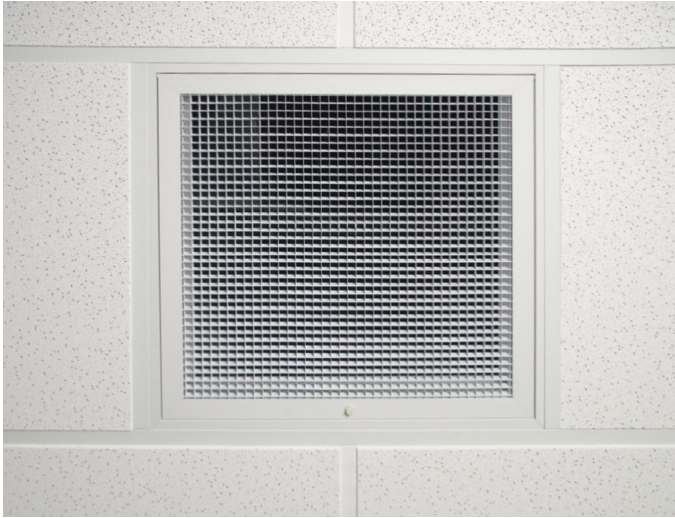


T-Bar Cube Core Air 4" Filter Grille

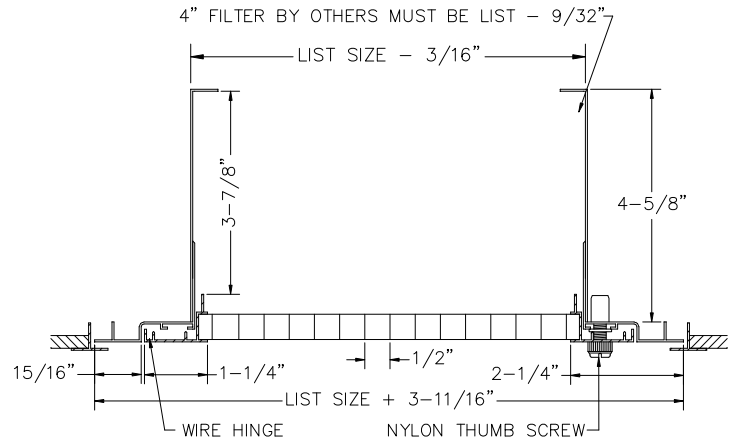
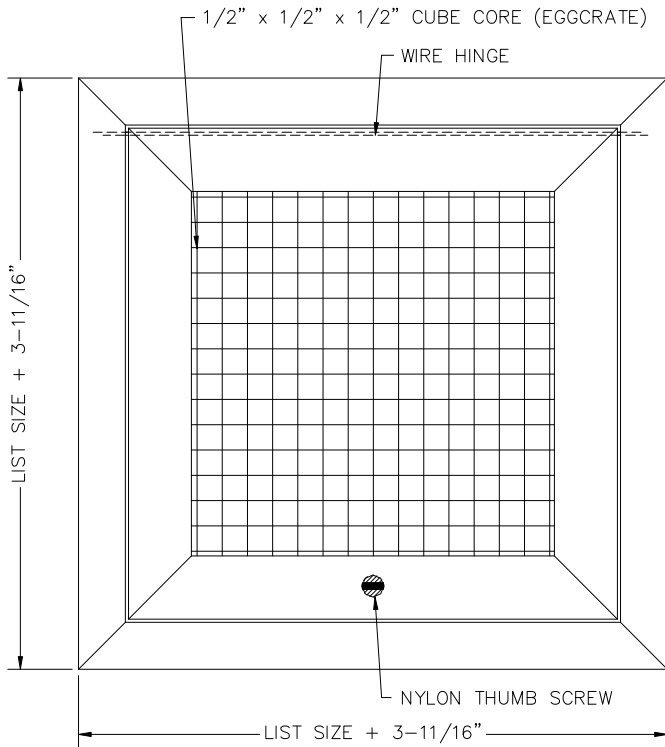


DARE5-FG4-TB

- 1/2"x 1/2"x 1/2"+eggcrate core has a high free area for minimum pressure loss
- Designed to fit most 4"+filters (must be undersized by 9/32")
- Neat appearance often matches luminaries
- Aluminum extruded frame with mechanically locked corners
- Available on 2+increments as standard
- Custom sizes available but extra charge may apply
- Durable powdercoat painted finish
- Available in White, Silver or Mill

Note:

- 1) Order 4+under T-bar size.
ie. 20"x20"+list size has an O.D. equal to 23-11/16"x 23-11/16"
- 2) B&C Mounting is automatically installed on T-bar units. Other options can be specified excluding mounting A. Spring Pins will not be accessible.
- 3) 1+Filter option can be specified by changing the **suffix to FG**
- 4) 2+Filter option can be specified by changing the **suffix to FG2**



DESCRIPTION	DARE5-FG4-TB
FACE BLADES	1/2"x 1/2"x 1/2"+Cube Core
REAR BLADES	n/a
DAMPER	n/a
MATERIAL	Aluminum
COLOR	White/Silver/Mill

JOB NAME: _____

LOCATION: _____

ARCHITECT: _____

ENGINEER: _____

CONTRACTOR: _____