

# T-Bar Return Air 4" Filter Grille

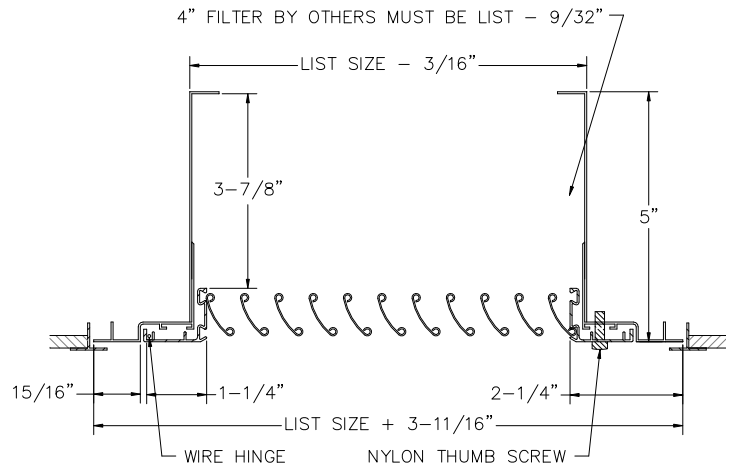
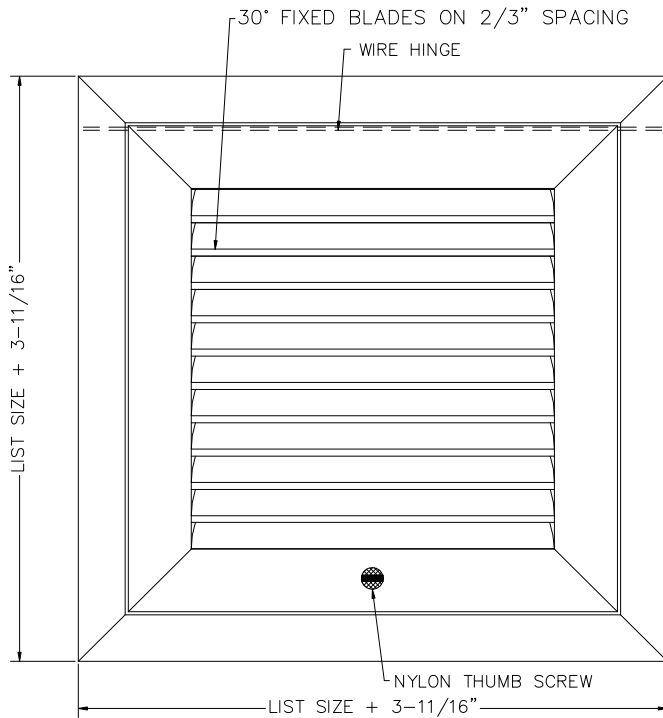


## DARH-FG4-TB

- Designed to fit most 4+filters (must be undersized  $\frac{9}{32}$ )
- Horizontal blades fixed on 30° deflection and 2/3+spacing
- Aluminum rollformed blades provide a stylish appearance
- Pressure fit nylon pivot pins (rattle free & non loosening)
- Aluminum extruded frame with mechanically locked corners
- Available on 2+increments as standard
- Custom sizes available but extra charge may apply
- Max blade length is 22+ Mullions used for larger sizes
- Durable powdercoat painted finish
- Available in White, Silver or Mill

**Note:**

- 1) Order 4+under T-bar size.  
ie. 20x20+list size has an O.D. equal to 23-11/16+x 23-11/16+
- 2) B&C Mounting is automatically installed on T-bar units.  
Other options can be specified (excluding mounting A)  
Spring Pins will not be accessible.
- 3) 1+Filter option can be specified by changing the **suffix to FG**
- 4) 2+Filter option can be specified by changing the **suffix to FG2**



DESCRIPTION	DARH-FG4-TB
FACE BLADES	Horizontal Fixed 30°
REAR BLADES	n/a
DAMPER	n/a
MATERIAL	Aluminum
COLOR	White/Silver/Mill

**JOB NAME:** \_\_\_\_\_

**LOCATION:** \_\_\_\_\_

**ARCHITECT:** \_\_\_\_\_

**ENGINEER:** \_\_\_\_\_

**CONTRACTOR:** \_\_\_\_\_